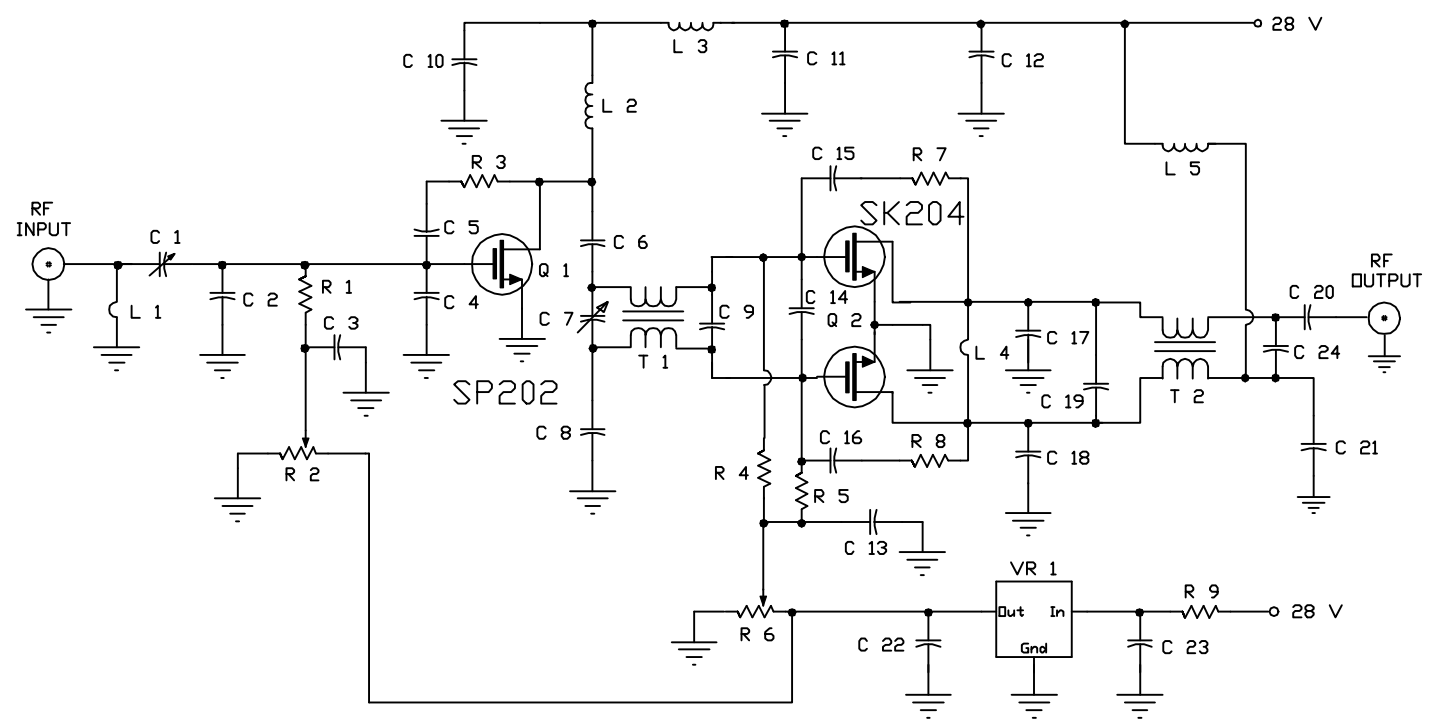


REVISIONS			
REV	DESCRIPTION	DATE	APPROVED



DRN By S.K. Leong	5/15/99	POLYFET RF DEVICES	
CHKD		SCHEMATIC	
ELECT		460 - 870 MHz 20 W	
MECH		SIZE A	FSCM NO. TB-105
PRDC			REV
QUAL			
PGMS		SCALE: NONE	SHEET 1 OF 1

graph

