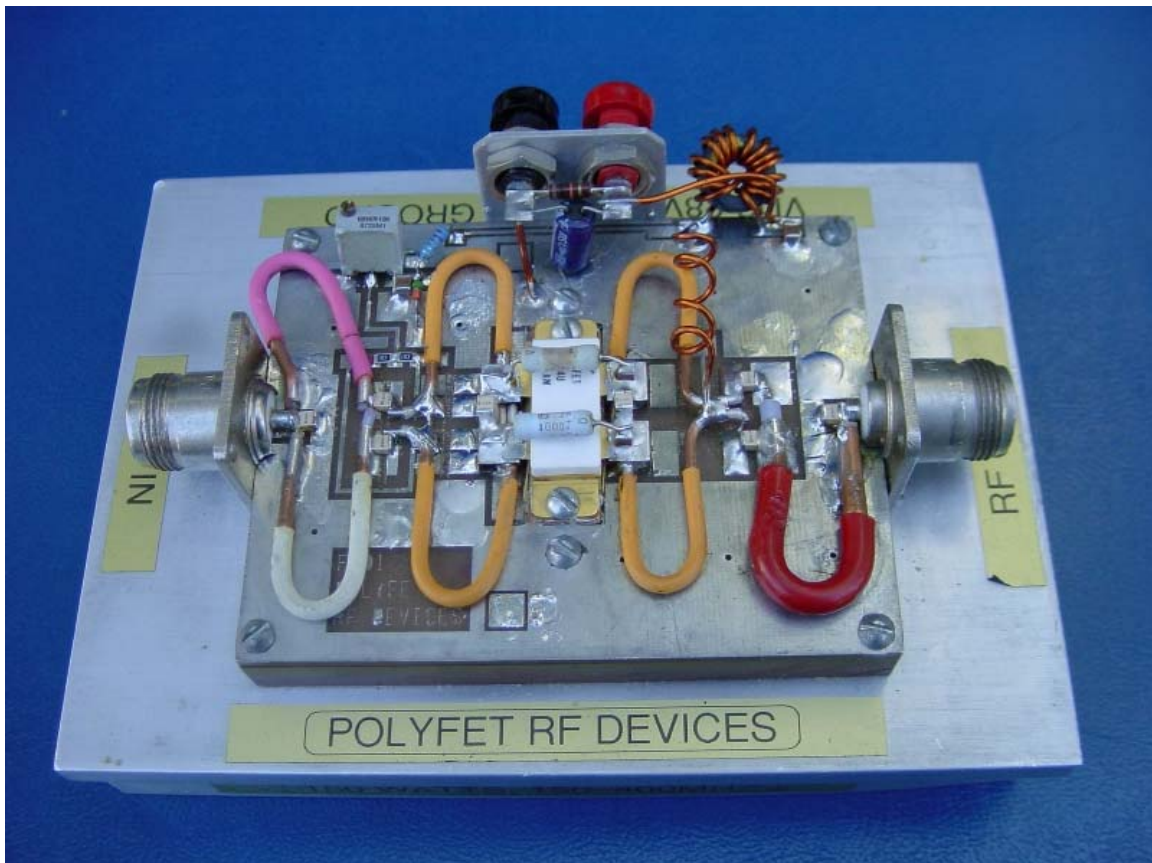
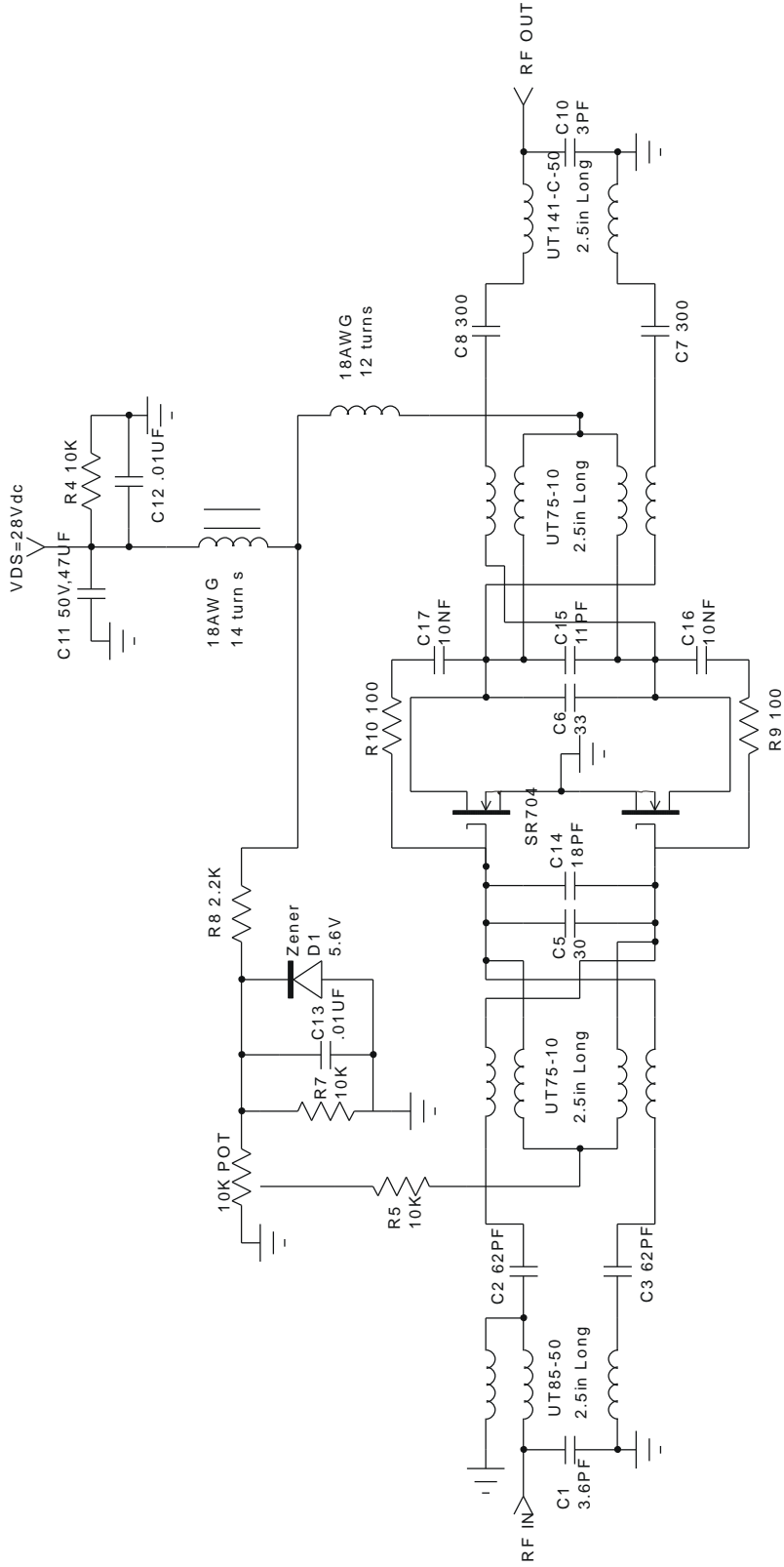


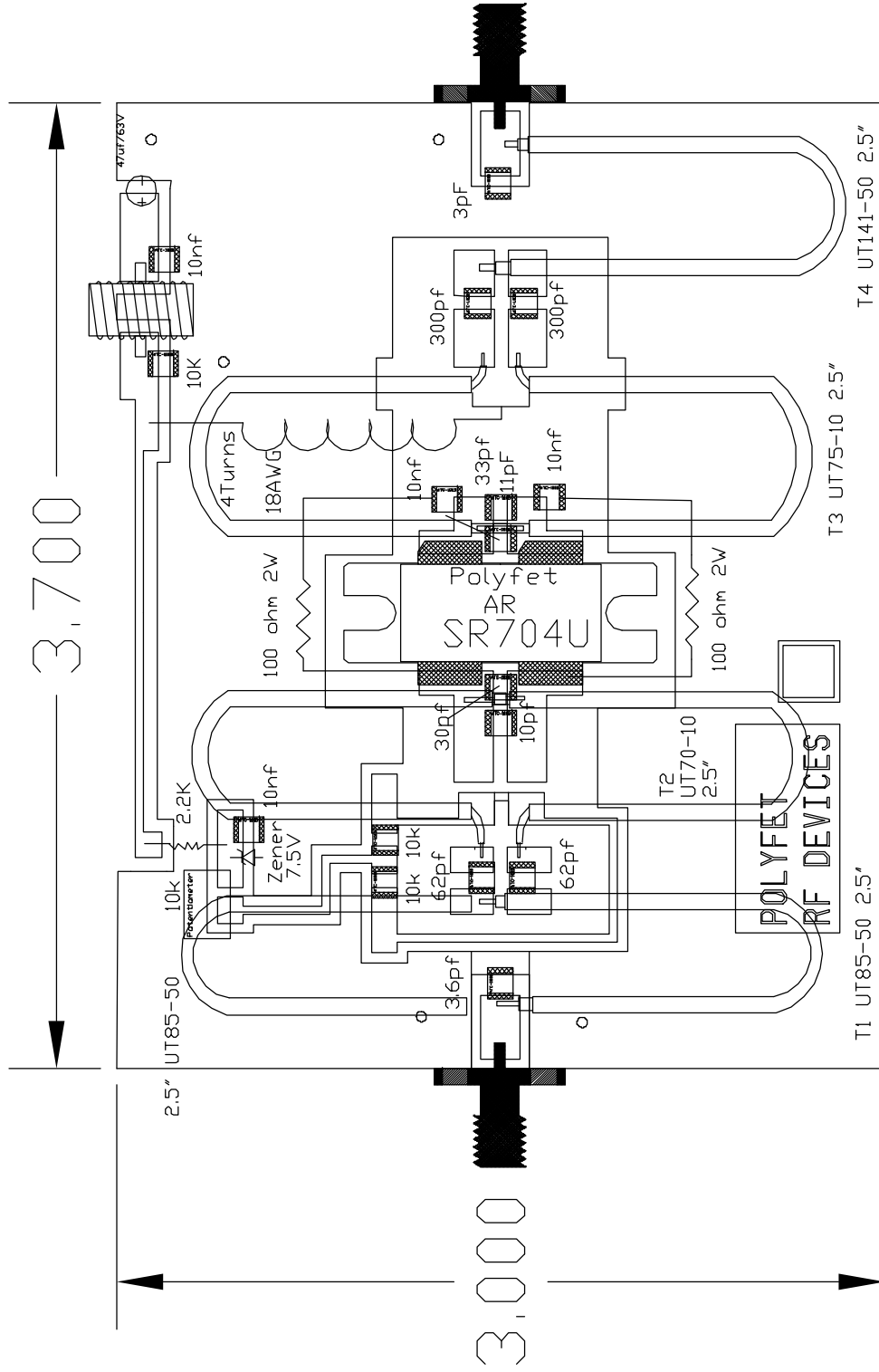
TB107-1A





DRN BY	J. Citrolo	10/24/02
CHKD		
ELECT		
MECH		
PRDC		
QUAL		
PGMS		

Polyfet RF Devices	
TB107-1A 150-400Mhz 150W	
SIZE	FSCM NO.
SR704U	Vds=28Vdc Idq=800ma
REV	A



# POLYFET RF DEVICES

SR704U 150-400Mhz 150w 28Vdc 800ma

TB-107-1A

REV  
A

SCALE: 1:1

SHEET 1 OF 1

DRN BY J. Citrolo	10/3/02
CHKD	
ELECT	
MECH	
PRDC	
QUAL	
PGMS	

PCB Material is FR4  
T=,064in, 1oz Cu, Er=3.5