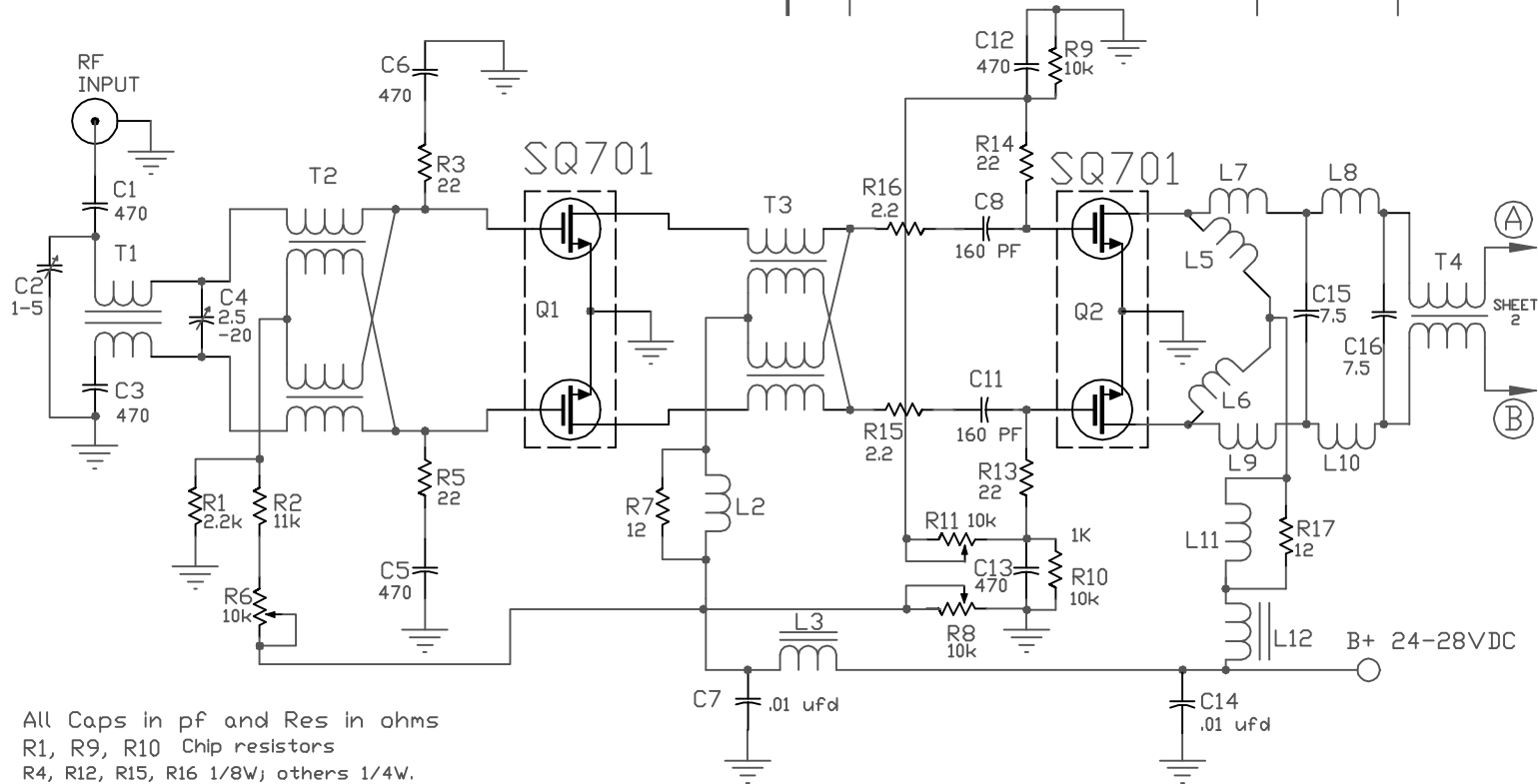


REVISIONS

REV	DESCRIPTION	DATE	APPROVED
-----	-------------	------	----------



All Caps in pf and Res in ohms  
 R1, R9, R10 Chip resistors  
 R4, R12, R15, R16 1/8W; others 1/4W.  
 L1, L4 2 turns, .15" dia; resistor wire  
 L2, L11 9 turns around 1/4W resistor; #22 AWG wire  
 L3, L12 3 turns around ferrite BN61-2402 #22 AWG wire  
 L5, L6 8 turns, 1/8" dia; #22 AWG wire  
 L7, L8, L9, L10 0.4" long, #24 AWG wire  
 T1 4 turns around BN61-2402 ferrite, #28 AWG wire  
 T2, T3 4:1 Transformer using 1.4" 25 ohm semi-rigid coax thru' 2 ferrite BN61-2402 per side  
 T4 Semi-rigid coax 50 ohm, 4.5 ins long around 2 ferrite BN61-2402

DRN BY S.K. Leong	5/15/99
CHKD	
ELECT	
MECH	
PRDC	
QUAL	
PGMS	

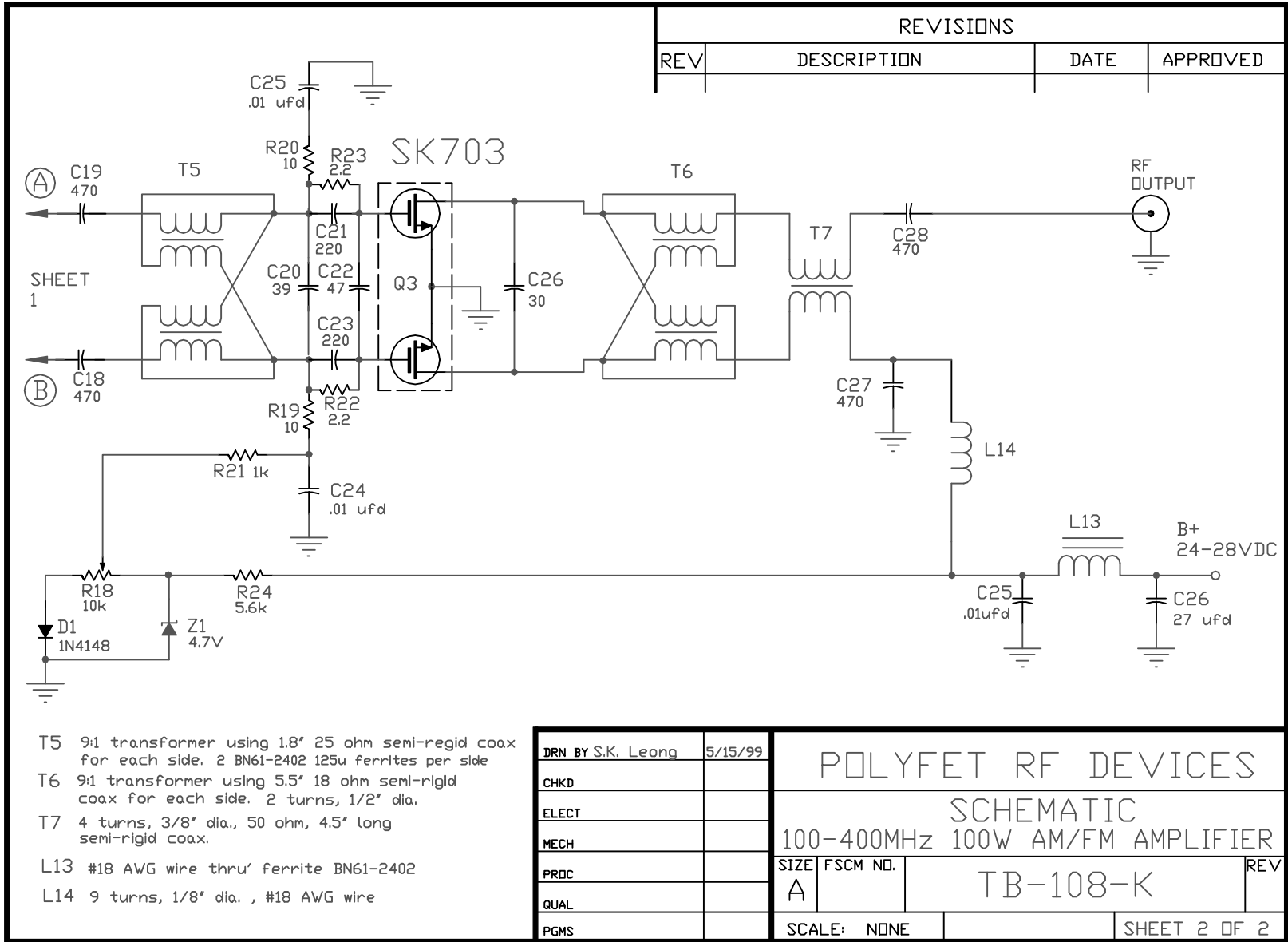
POLYFET RF DEVICES	
SCHEMATIC	
100-400MHz 100W AM/FM AMPLIFIER	
SIZE FSCM NO.	REV
A	TB-108-K
SCALE: NONE	SHEET 1 OF 2

VDS - 24V  
Idq - 3.2A

RF TEST DATA  
PART NO. - 3 STAGE  
2-SQ701  
1-SK703

T.F.No  
DATE CODE  
OPERATOR - RR

PN	FREQ MHz	Pin WATTS	Pout WATTS	Gain db	Eff %	Id. AMPS	ALC VOLTAGE
1	100.00	0.01	100.00	40.00	40.60	8.80	5.81
1	150.00	0.01	100.00	40.00	45.80	7.79	5.58
1	200.00	0.01	100.00	40.00	44.50	8.03	5.25
1	250.00	0.01	100.00	40.00	41.40	8.62	6.06
1	300.00	0.01	100.00	40.00	37.50	9.51	6.80
1	350.00	0.01	100.00	40.00	38.10	9.38	6.23
1	400.00	0.01	100.00	40.00	36.70	9.73	7.00



REVISIONS			
REV	DESCRIPTION	DATE	APPROVED

- T5 9:1 transformer using 1.8' 25 ohm semi-rigid coax for each side. 2 BN61-2402 125u ferrites per side
- T6 9:1 transformer using 5.5' 18 ohm semi-rigid coax for each side. 2 turns, 1/2" dia.
- T7 4 turns, 3/8" dia., 50 ohm, 4.5" long semi-rigid coax.
- L13 #18 AWG wire thru ferrite BN61-2402
- L14 9 turns, 1/8" dia., #18 AWG wire

DRN BY S.K. Leong	5/15/99	POLYFET RF DEVICES	
CHKD		SCHEMATIC	
ELECT		100-400MHz 100W AM/FM AMPLIFIER	
MECH		SIZE A	FSCM NO. TB-108-K
PRQC			REV
QUAL		SCALE: NONE	SHEET 2 OF 2
PGMS			