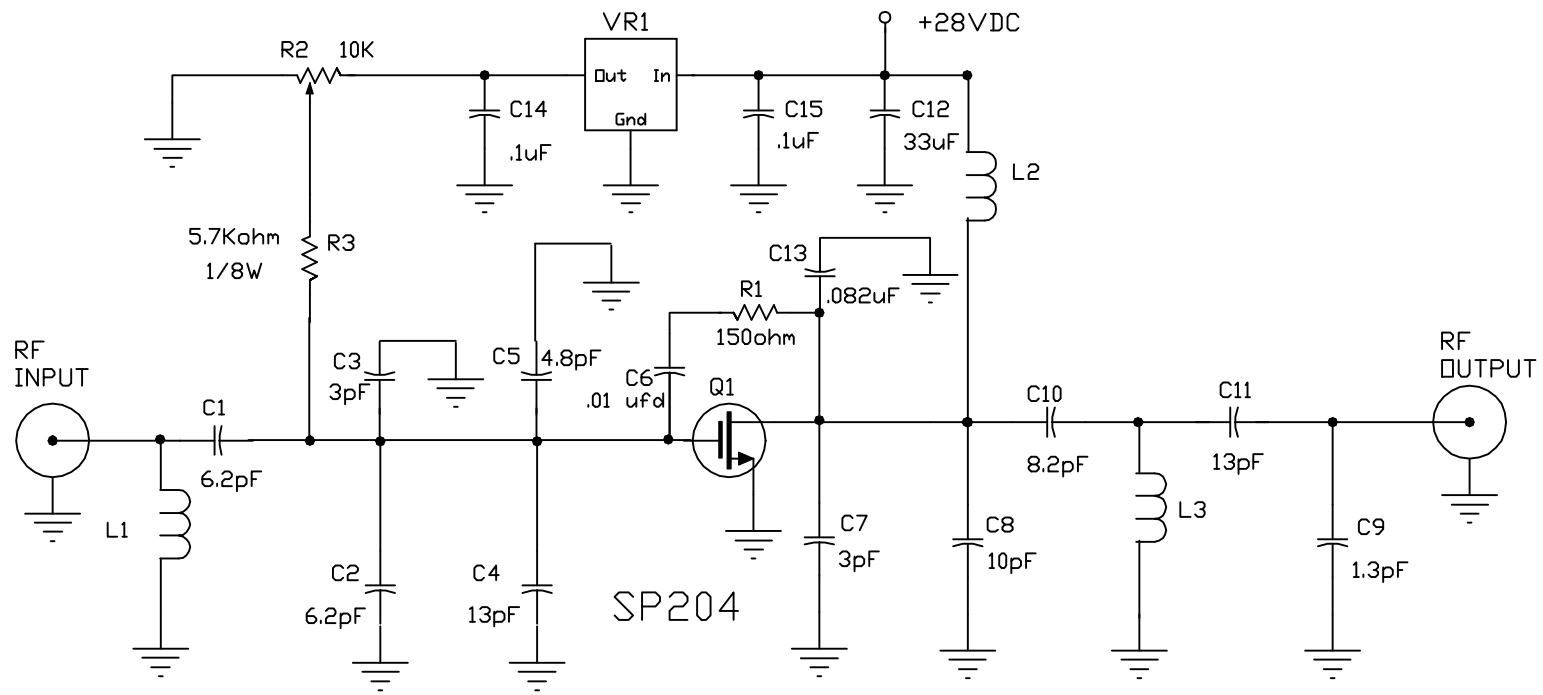


REVISIONS			
REV	DESCRIPTION	DATE	APPROVED



- L1 = INDUCTOR 2T #24
- L2 = INDUCTOR 10T #24
- L3 = HAIRPIN 0.5" #22

DRN BY S. K. LEONG	5/15/99	POLYFET RF DEVICES	
CHKD		SCHEMATIC	
ELECT		440-840 MHz 8W	
MECH		SIZE A	FSCM NO. TB-120
PRDC			REV
QUAL		SCALE:	
PGMS			SHEET 1 OF 1