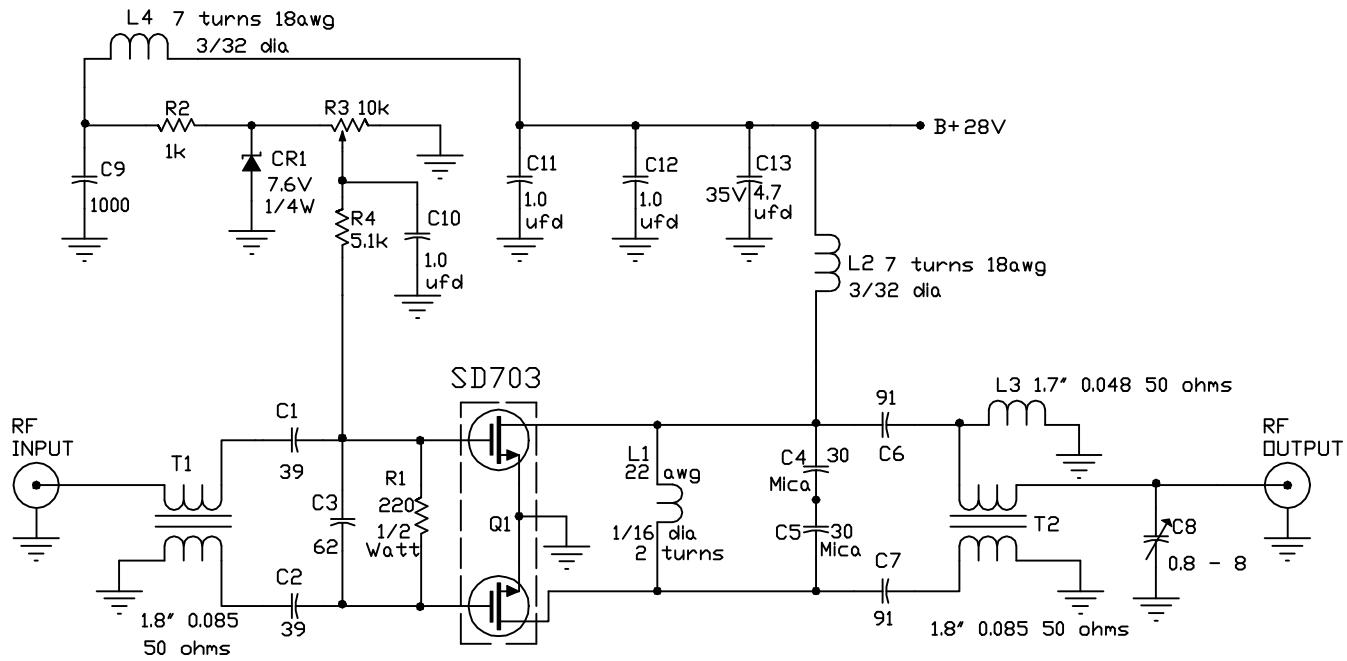


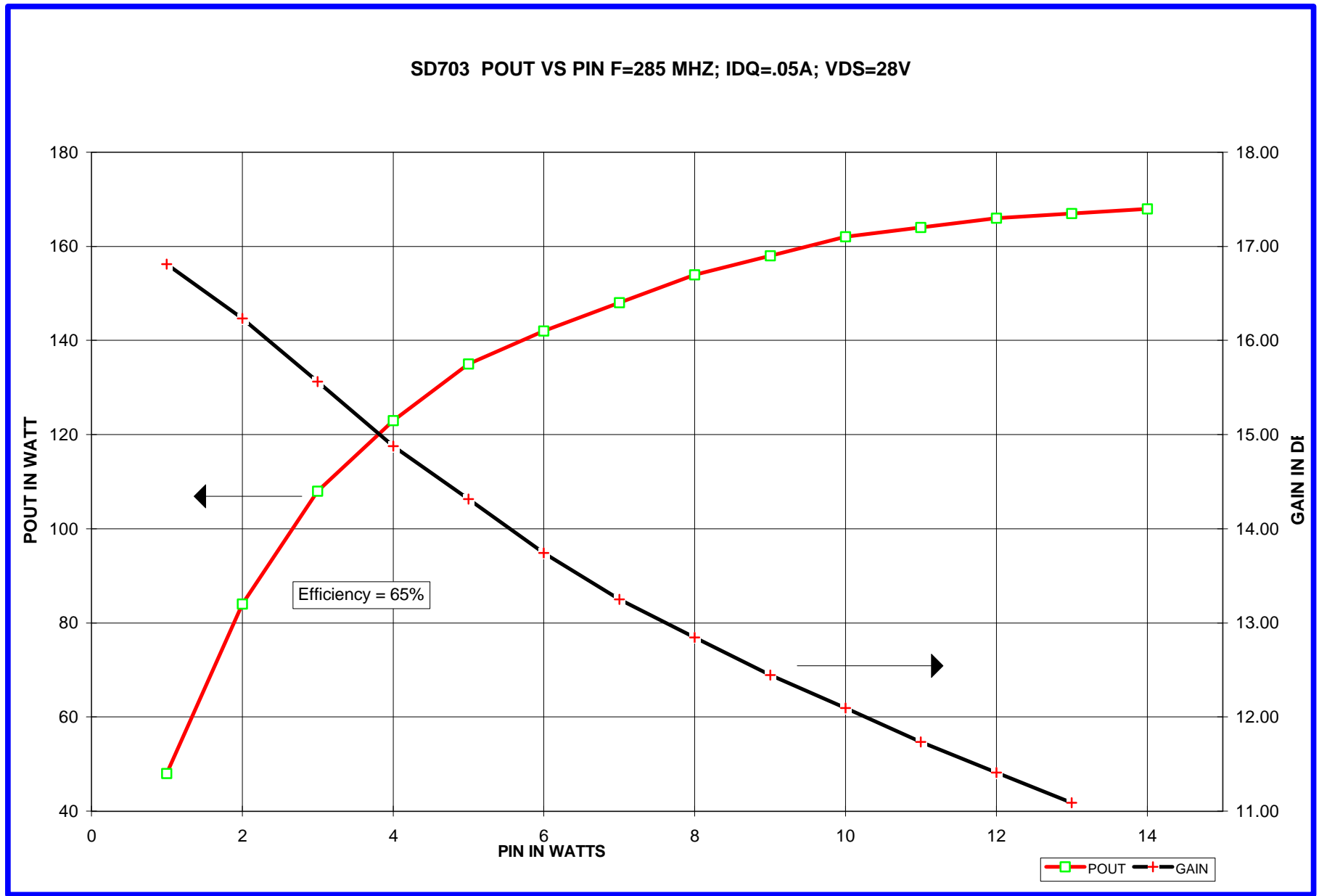
REVISIONS

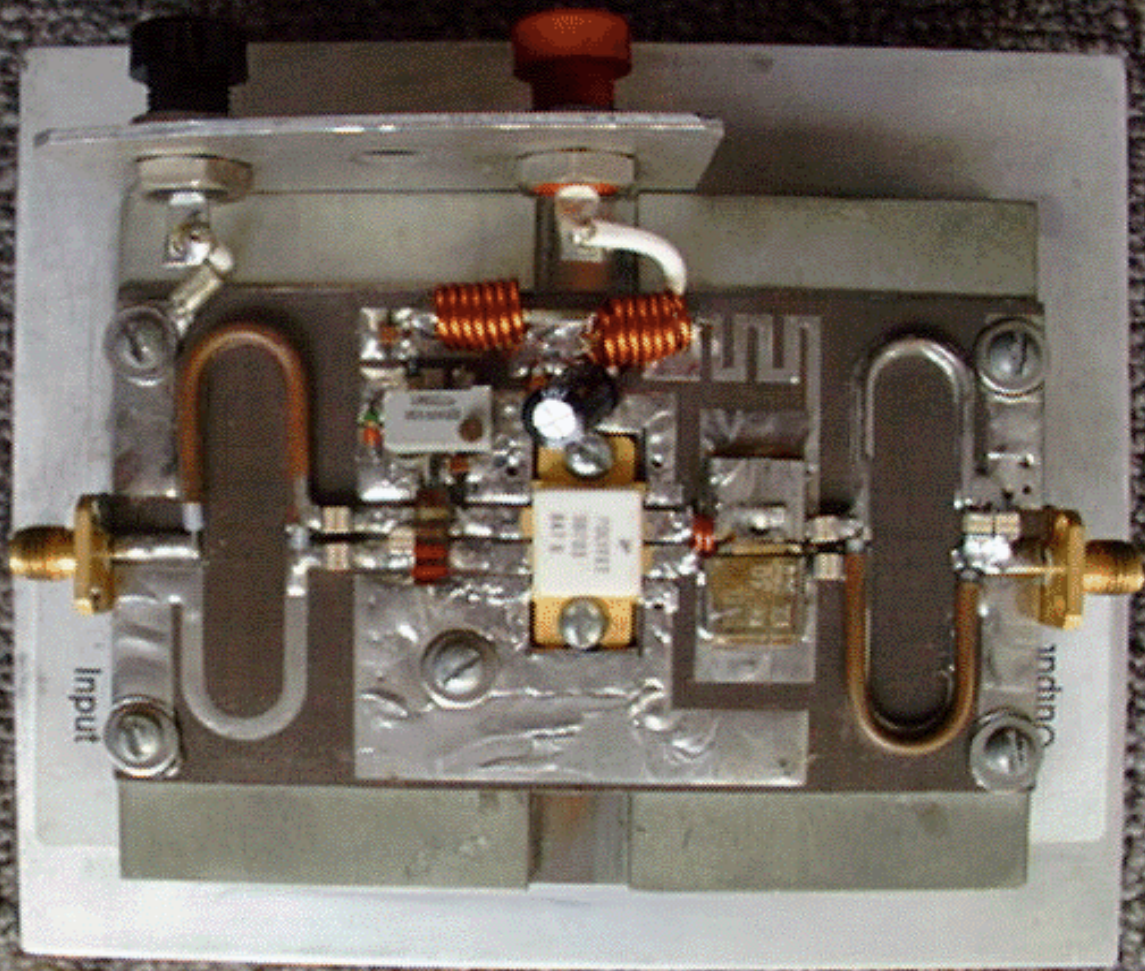
REV	DESCRIPTION	DATE	APPROVED

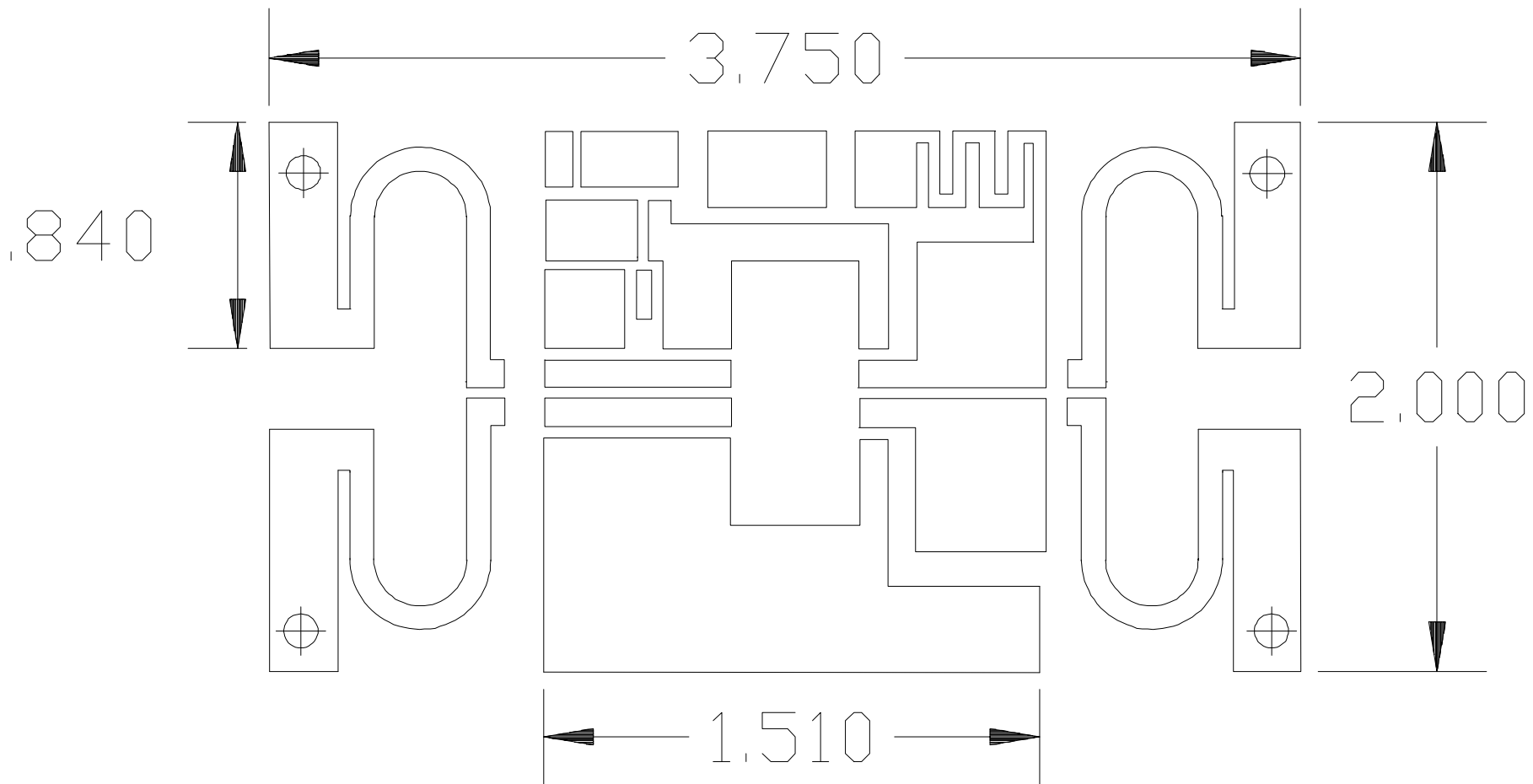


Capacitors in pf
Resistors in ohms

DRN BY J. Citrolo	5/15/99	POLYFET RF DEVICES	
CHKD		SCHEMATIC	
ELECT		150W 285Mhz Linear Amp	
MECH		SIZE A	FSCM NO. TB-125
PRDC			REV
QUAL			
PGMS		SCALE:	SHEET OF



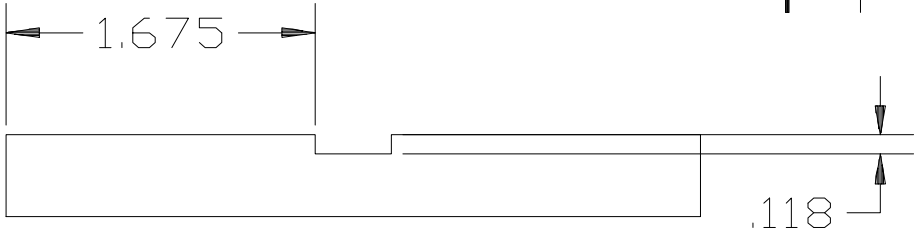




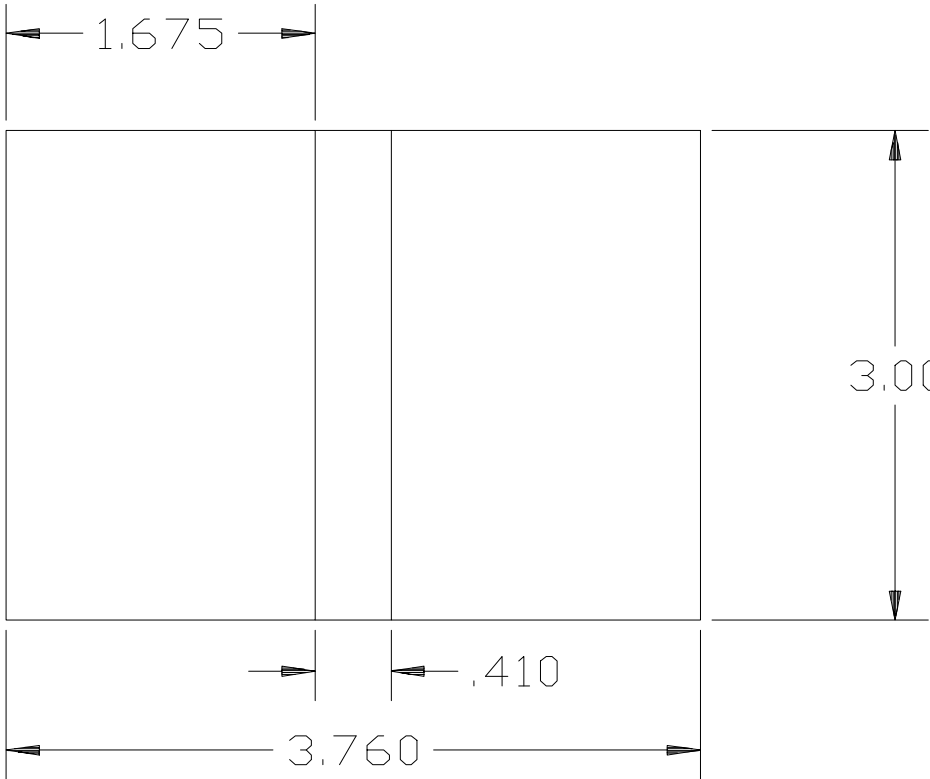
PCB Layout TB-125

REVISIONS

REV	DESCRIPTION	DATE	APPROVED



FRONT VIEW



TOP VIEW

Dimensioned in Inches
 Tolerances unless
 otherwise specified
 .XX +/- .010
 .XXX +/- .005

DRN BY J.Citrolo	11/8/95	Polyfet RF Devices		
CHKD		Heat Sink For TB-125 Amp		
ELECT		SIZE	FSCM NO.	REV
MECH		A		TB -125-B & C
PRDC				
QUAL				
PGMS				