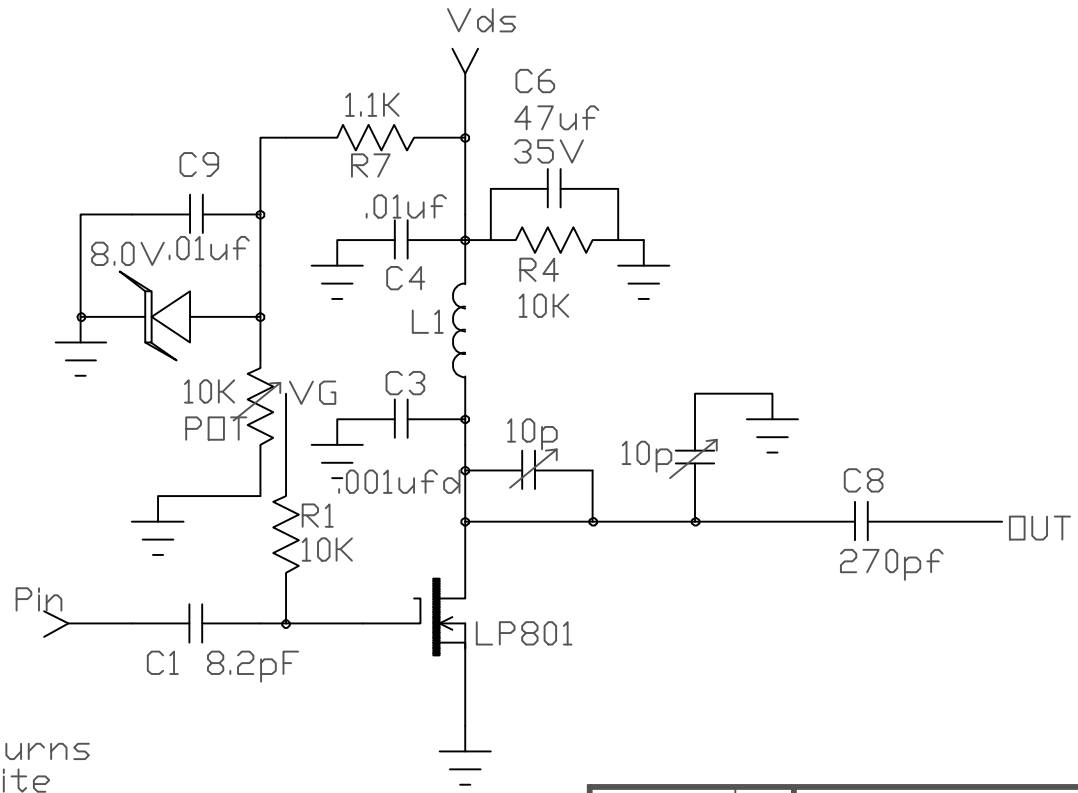


REVISIONS			
REV	DESCRIPTION	DATE	APPROVED



L1 22 Awg 10 turns
2000mu ferrite

DRN BY J. Citrolis/15/99	Polyfet RF Devices		
CHKD	15W 13dB 900Mhz 28V		
ELECT	SIZE	FSCM NO.	REV
MECH	A	TB 128	
PRDC			
QUAL			
PGNS			