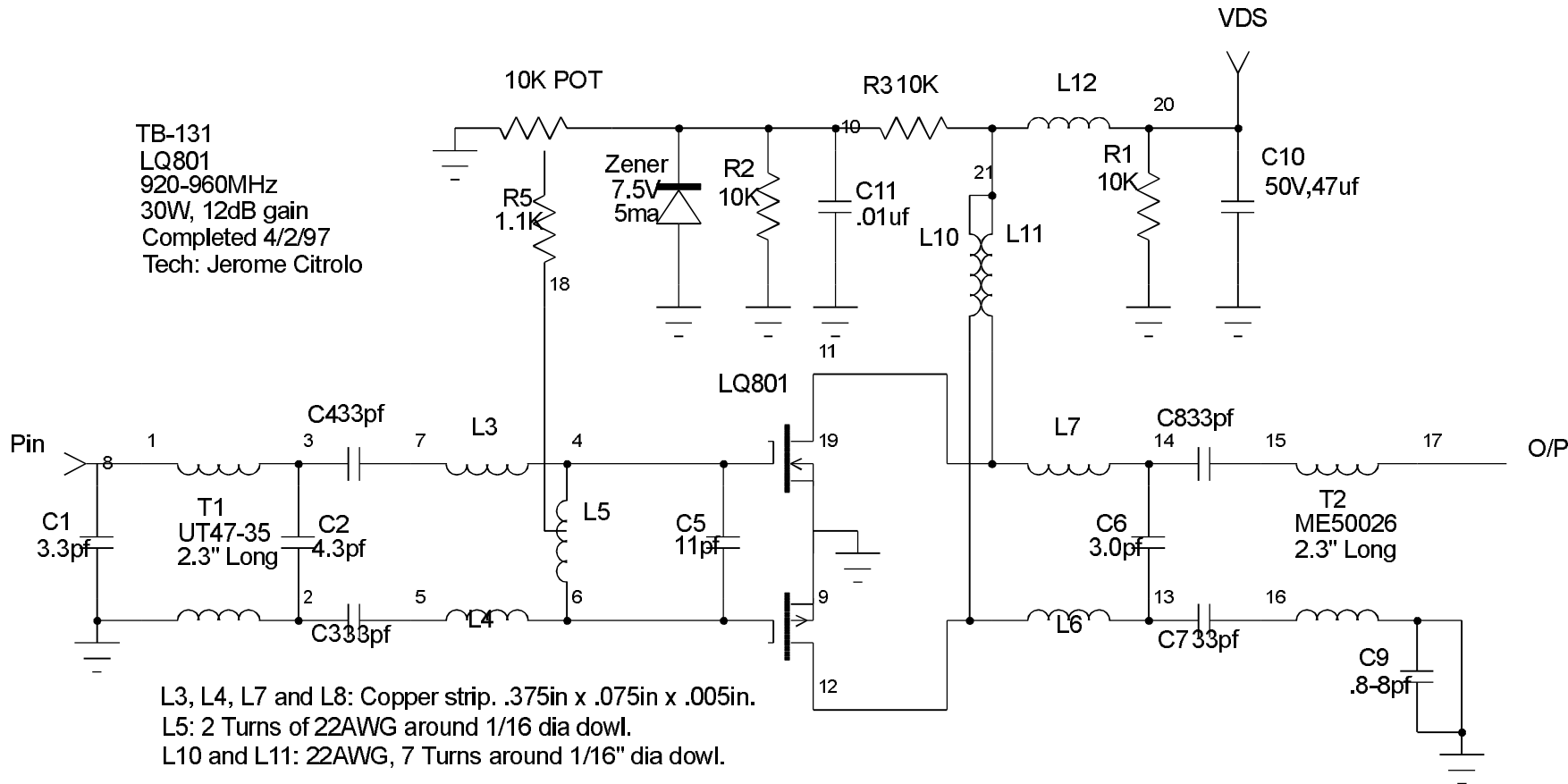


TB-131
 LQ801
 920-960MHz
 30W, 12dB gain
 Completed 4/2/97
 Tech: Jerome Citrolo



L3, L4, L7 and L8: Copper strip. .375in x .075in x .005in.
 L5: 2 Turns of 22AWG around 1/16 dia dowl.
 L10 and L11: 22AWG, 7 Turns around 1/16" dia dowl.

DRAWN BY:		DATE:		POLYFET RF DEVICES	
S. K. Leong		5/15/99			
				30W 920 - 960 Mhz 12 dB	
SIZE	FSCM NO.	TB 131		REV.	
A					
SCALE:				SHEET OF	

TB131 POUT VS PIN F=940 MHZ; IDQ=0.6A; VDS=28V

