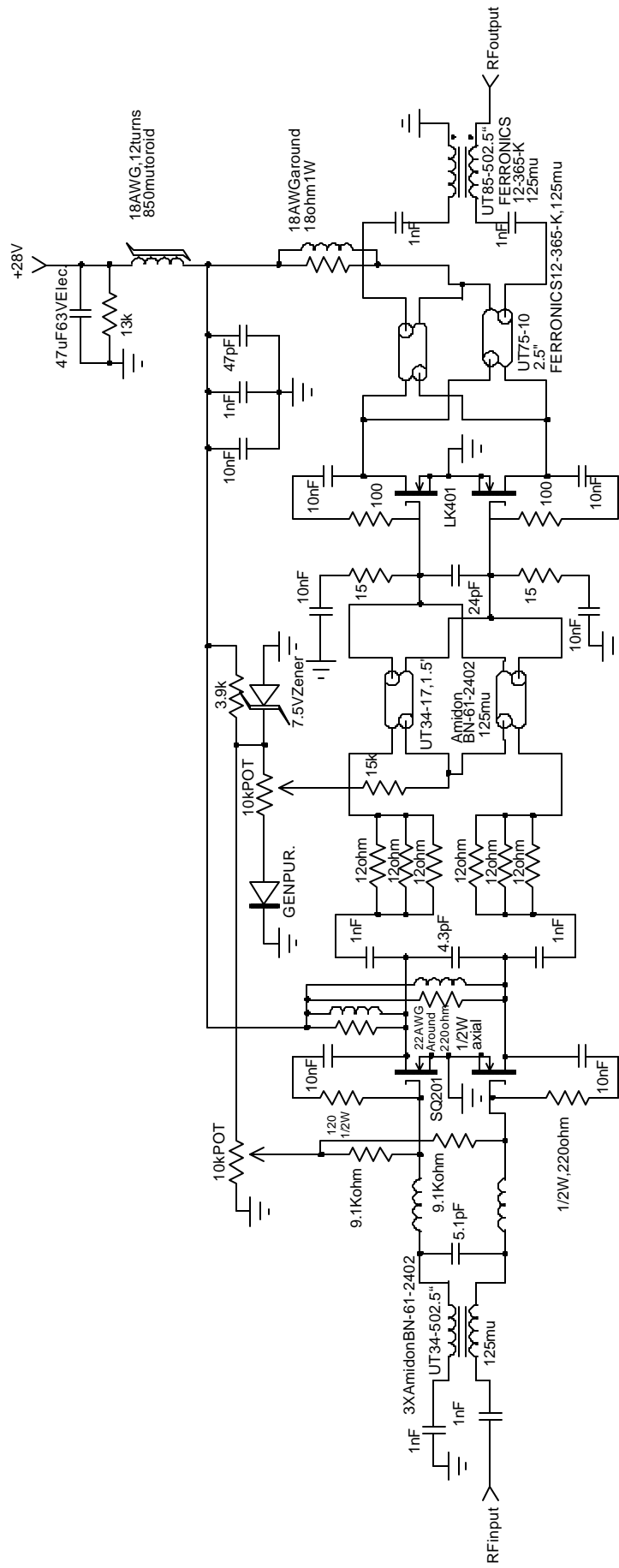


SYMBOL	VALUE	DESCRIPTION
C01,C02,07,08,15,17,18,19	1000pF	ATC100B CHIP CAP.
C03	5.1pF	ATC100B CHIP CAP.
C03	7.5pF	ATC100B CHIP CAP.
C04,05,09,11,12,13,14	10nF	ATC100B CHIP CAP.
C06	4.3pF	ATC100B CHIP CAP.
C10	24pF	ATC100B CHIP CAP.
C16	47pF	1/4W axial resistor
C20	47uF	63V Electrolytic
R1,2	10kΩ	0805 Resistor
R3,4	130Ω	1/2W axial
R5-R10	12Ω	1206 Resistor
R11	3.9kΩ	0805 Resistor
R12	15kΩ	0805 Resistor
R13,R14	15Ω	1/4W axial
R15,R16	100Ω	20W flange mount
R17	13kΩ	1/4W axial
RL1,RL2	220Ω	22AWG around 1/2W axial
RL3	18Ω	18AWG around 1W axial
D01	---	general purpose diode
Z01	7.5V	Zener diode
F1-F3	125μu	AMIDON BN-61-2402
F4-F8	125μu	FERRONICS 12-365-K
T01	2.5"	UT34-50 SEMI-RIGID COAX
T02	1.5"	UT34-17 SEMI-RIGID COAX
T03	2.5"	UT75-10 SEMI-RIGID COAX
T04	2.5"	UT85-50 SEMI-RIGID COAX
P01,P02	10K	Multi-turn Potentiometer
L1,L2	22AWG	100.08" 2turns
L3	18AWG	12turns through 850mu tar-oid
VDD	28V	DC Power Supply
Bias SQ201	400mA	Bias Current
Bias LK401	800mA	Bias Current

DRN BY: Cunningham	4/1/02
CHKD :	
ELECT : Cunningham	4/1/02
MECH : Cunningham	4/1/02
PROC :	
QUAL :	
PGMS :	

POLYFET RF DEVICES	
30--512MHz Amplifier	
SIZE	FSCM NO
TB166	LAYOUT
REV	0
SCALE : 1 : 1	SHEET 1 OF 1

PCB Material : Double Side FR4
 ER=3.55, H=0.032", T=0.001"



DRN BY	ECunningham	4/1/02	Polyfet RF Devices
ELECT	ECunningham	4/1/02	
MECH	ECunningham	4/1/02	
PCB			TB 166 30-512Mhz 60W
SIZE	FSCN NO	SO201 --> LK401Vds= 28VdcIdq= 1.2A	
DRAW	A		REV
PENS			

