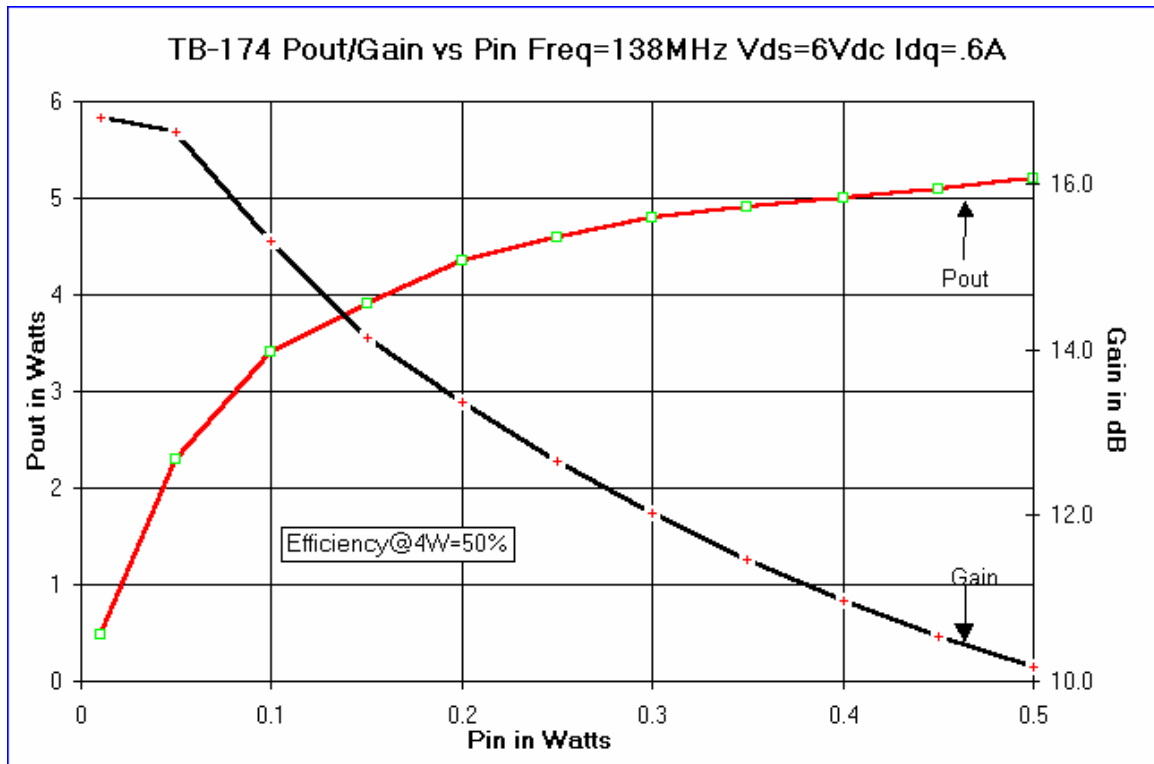
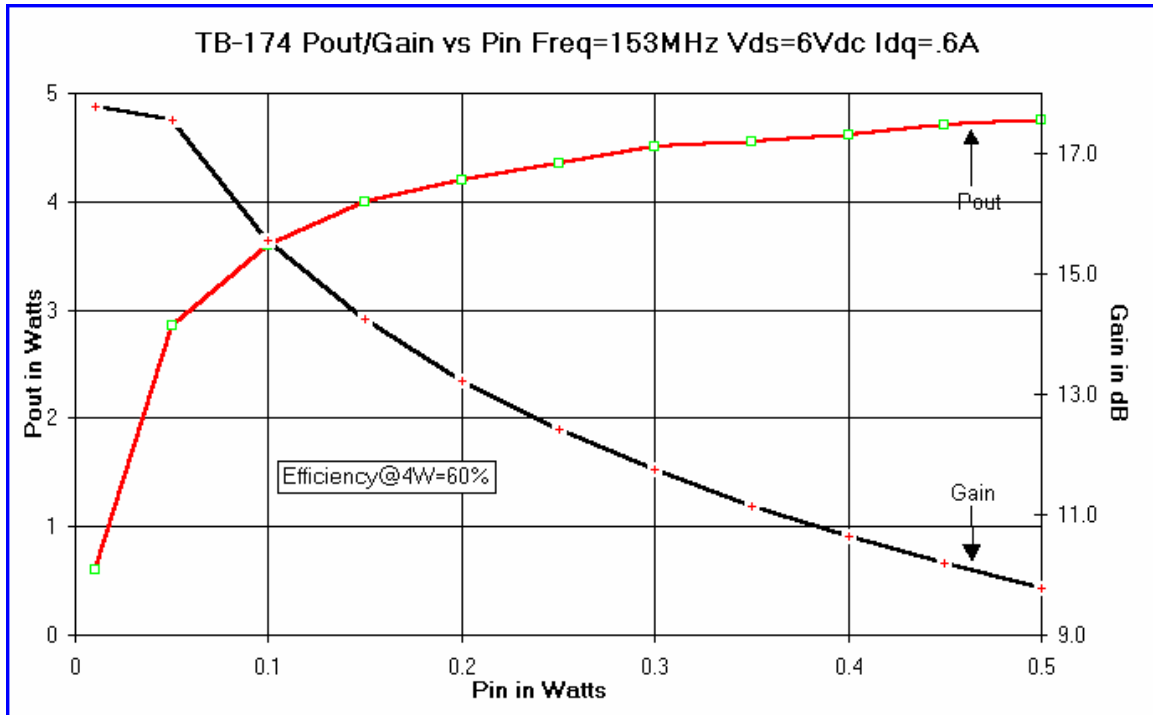
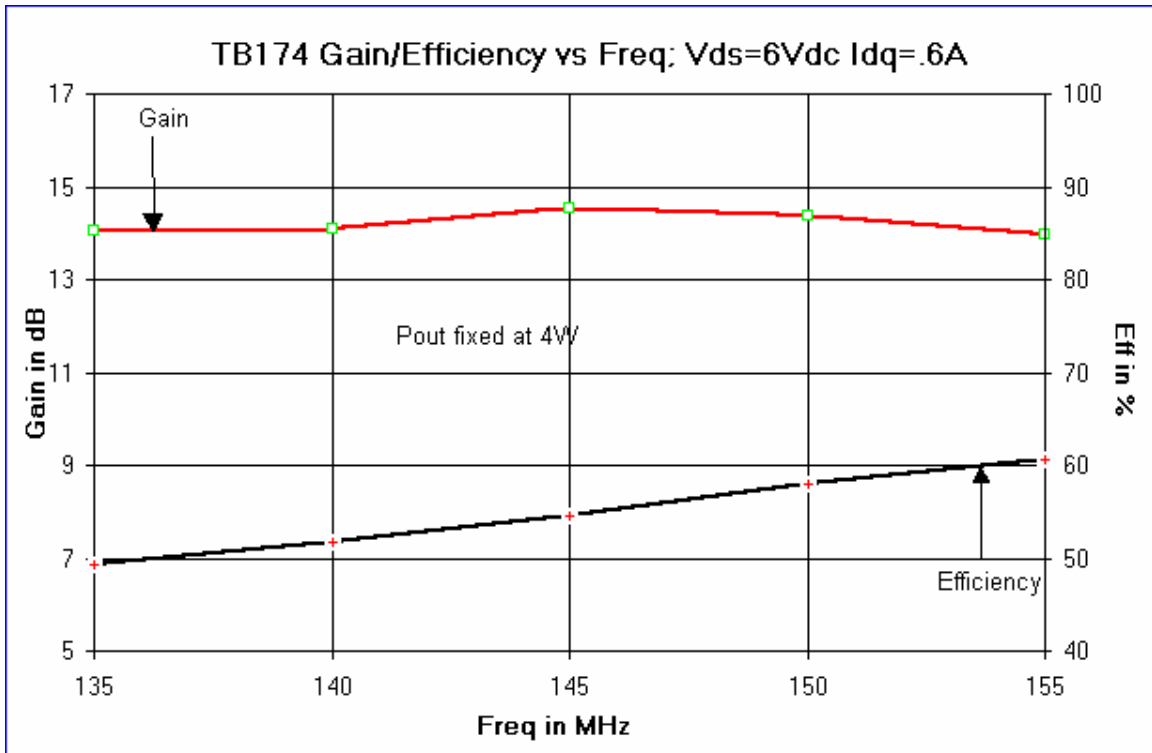
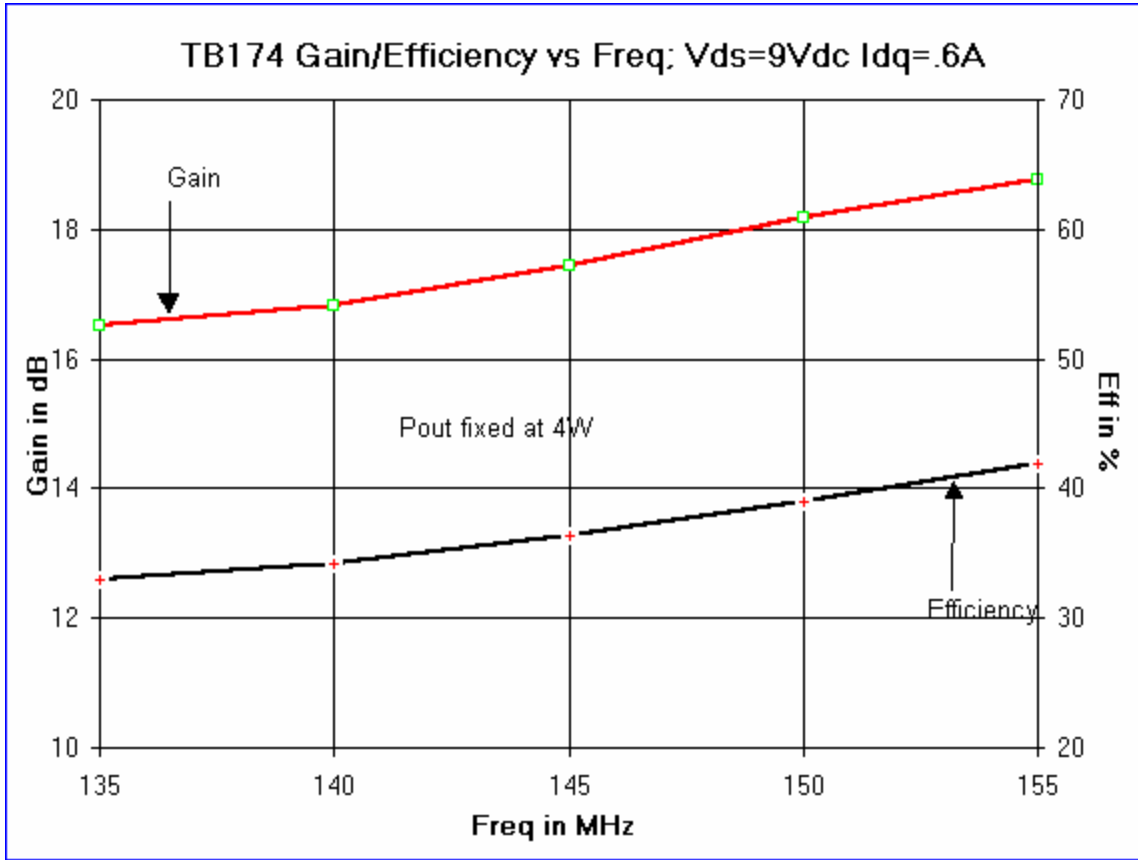
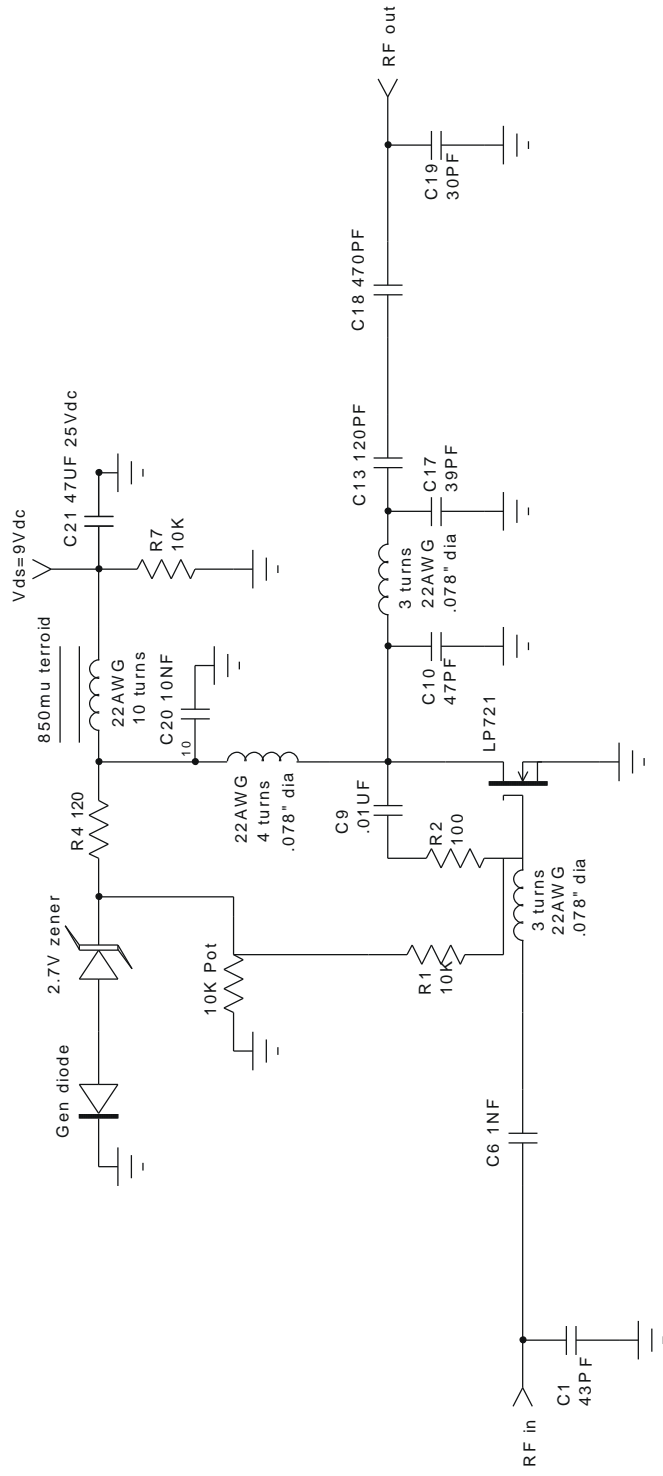


6 Volt VDD

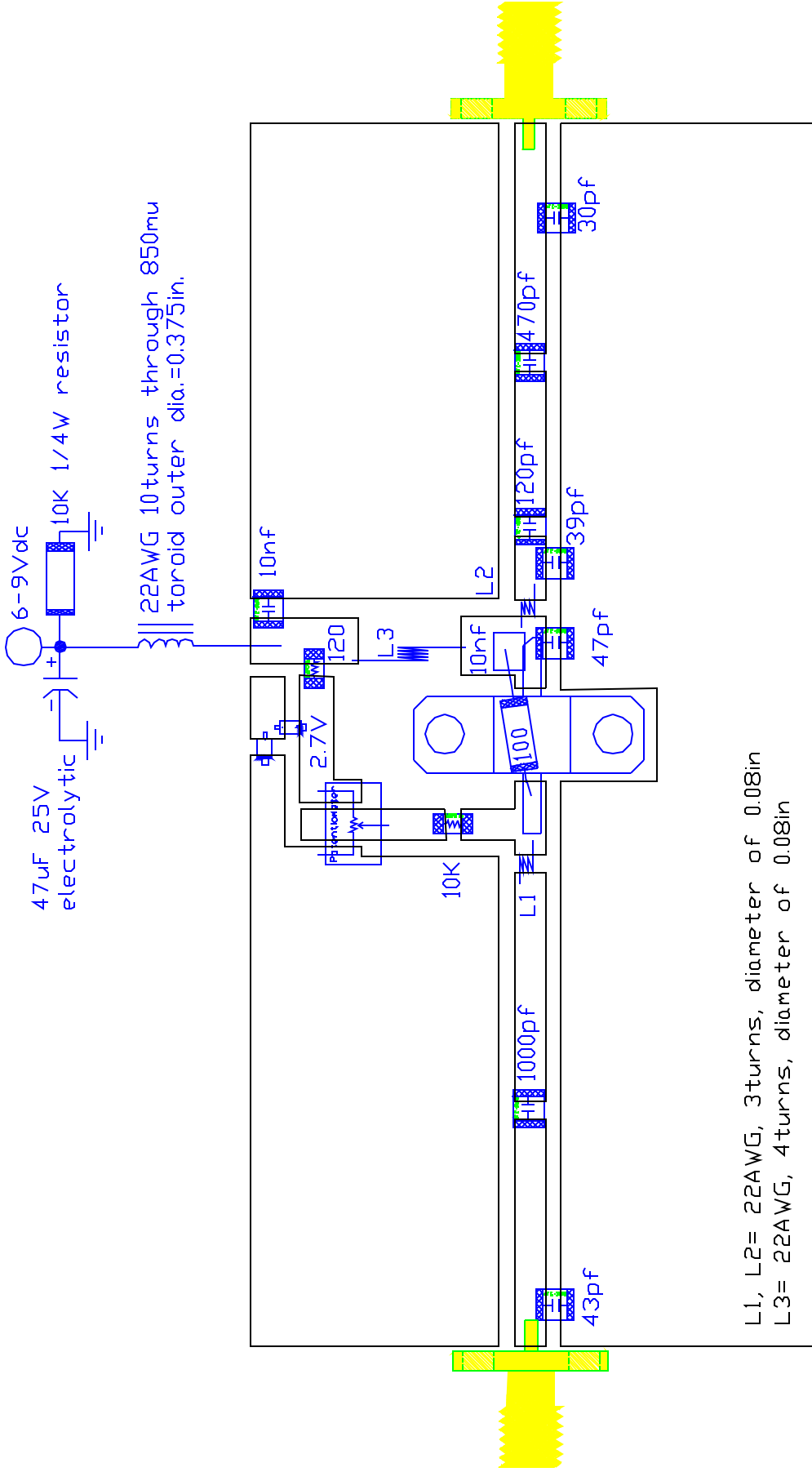






DRN BY	J.Citrolo	11/7/02
CHKD		
ELECT		
MECH		
PRDC		
QUAL		
PGMS		

Polyfet RF Devices		
TB-174 138-153Mhz 4W		
SIZE	FSCM NO.	REV
	Lp721 Vds=9Vdc Idq=600ma	A



Board material:
 Double sided teflon, 1oz Cu, .031in thick, dielectric constant of 2.55

DRN BY	E Cunningham	11/08/02	Polyfet RF Devices	
CHKD BY				
ELEET	J Citrolo	11/07/02	TB174,138-153MHz,4W	
MECH	J Citrolo	11/06/02	SIZE	FSCM NO.
PROJ			A	LP721, Vds=9VDC, Idq=0.6A
DUAL				REV
PGMS				